



PRODUCT CATALOG

TSUNAMI COMPRESSED AIR SOLUTIONS™



Superior Filtration Products. Pure & Simple
filters | dryers | drains | accessories

www.tsunami.us.com

RESTORING QUALITY INTO CUTTING-EDGE TECHNOLOGY



OPTIMIZED CONTENT

Our website now works on a responsive template and is easily accessible on any hand-held device.

- Find in-depth information on the products you need.
- Get up-to-date information on new product releases & upcoming events.
- Download User Manuals & Instruction Guides.

GET CONNECTED!

www.tsunami.us.com



ONLINE VIDEOS

Tsunami Compressed Air Solutions™, a division of Suburban Manufacturing, Inc. offers over 40 online videos.

- Sales Training & Demonstration videos.
- View step by step Installation Instructions.
- General knowledge as well as tips & tricks videos on compressed air best practices.

VISIT OUR YouTube CHANNEL OR VIDEO LIBRARY AT:

www.tsunami.us.com/videos

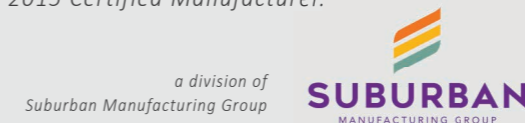


For over 35 years, Tsunami Compressed Air Solutions™ (a division of Suburban Manufacturing Group) has set the industry standard for quality compressed air filtration and drying solutions. While we strive to bring cutting-edge technology to the world of pneumatics, we continue to focus on the core principles that built the foundation of the successful business we've grown to become; quality, value, and world-class customer service.

At Suburban Manufacturing Group our mission is to build value for our customers by producing quality, innovative, application-based products. Suburban is an engineer-driven organization that partners with customers to design and develop unique and specific fluid power products.

Today, we distribute thousands of fluid power solutions worldwide right from our U.S. manufacturing facility located in Monticello, Minnesota.

Suburban Manufacturing Group is an ISO 9001-2015 Certified Manufacturer.



CONTENTS

AIR FILTRATION

Water Separators	pg. 4
Oil Coalescing Filters	pg. 5
Activated Carbon Filters	pg. 5

FILTRATION PACKAGES

20 scfm - 120 scfm	pg. 6-7
--------------------	---------

AIR DRYERS

Regenerative Dryers	pg. 10
Portable Dryers	pg. 11
Membrane Dryers	pg. 11

SPECIALTY FILTRATION

Grade "D" Breathing Air	pg. 12
Utility Station	pg. 13
Filters, Regulators, Lubricators (FRL's)	pg. 13

DRAINS

Electronic Drain Valve (EDV)	pg. 14
Moisture Minder® Pneumatic Drain	pg. 15
Moisture Minder® Filter Drain	pg. 15

ACCESSORIES

Air Monitoring Equipment	pg. 16
Ultra-flo Spray Hose	pg. 17
Couplers, Plugs & Blow Guns	pg. 17

SERVICE PARTS

Dryer Service Parts & Accessories	pg. 18
Draining Accessories	pg. 18
Filtration Elements & Service Parts	pg. 18-19




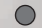
FOR THE SURGES ORDINARY FILTERS CAN'T HANDLE

Tsunami filters are machined from the highest quality materials & anodized inside & out to ensure ultimate durability against trapped contaminants. Our cutting-edge technology is rigorously tested to outperform your expectations regardless of the industry or application.

- 1 Filter heads machined from 6061 Aircraft Aluminum
- 2 Oversized tube length allows both gravity & velocity to assist in the removal of air contaminants
- 3 Removable bottom cap provides ease of service. Machined drain port provides various drain compatibility

-R Filter packages can be ordered in reverse flow by simply adding a "-R" to the end of the part number.

 Filtration service parts can be found on pg. 18-19 or by searching the unit part number online at www.tsunami.us.com

 = model shown in picture

AIR FILTRATION

WATER SEPARATORS, OIL COALESCING FILTERS & ACTIVATED CARBON FILTERS

1st Stage



WATER SEPARATORS

The Tsunami Water Separator removes water and up to 1 quart per minute & filters particulate down to 10 micron.

Max Pressure: 250 psi Max Temperature: 175°F

Part Number	Max Flow	Drain Type	Port Size	Weight	Dimensions (HWD)
21999-0390	20 scfm	Float	1/4" npt	1½ lbs	8½" x 2" x 2"
21999-0390-MM	20 scfm	Pneumatic	1/4" npt	2 lbs	10½" x 2" x 2"
• 21999-0131	50 scfm	Float	1/2" npt	3½ lbs	14½" x 2½" x 2½"
21999-0131-ED	50 scfm	Electronic	1/2" npt	6 lbs	17½" x 5½" x 4"
21999-0131-MM	50 scfm	Pneumatic	1/2" npt	6 lbs	17" x 2½" x 2½"
21999-0082	120 scfm	Float	1" npt	9 lbs	16" x 3½" x 3½"
21999-0082-ED	120 scfm	Electronic	1" npt	9½ lbs	18" x 6" x 4½"
21999-0082-MM	120 scfm	Pneumatic	1" npt	9 lbs	18" x 3½" x 3½"
21999-0850	240 scfm	Float	2" npt	19 lbs	16.5" x 7½" x 3½"
21999-0850-ED	240 scfm	Electronic	2" npt	21 lbs	19" x 10" x 6½"
21999-0850-MM	240 scfm	Pneumatic	2" npt	20 lbs	18½" x 7½" x 3½"
21999-0960	800 scfm	Float	3" npt	38 lbs	35½" x 6" x 6"
21999-0960-ED	800 scfm	Electronic	3" npt	39 lbs	35½" x 6" x 10"
21999-0960-MM	800 scfm	Pneumatic	3" npt	39 lbs	35½" x 6" x 8½"

2nd Stage



OIL COALESCING FILTERS - Replace Element Every 6 Months

The Oil Coalescing Filter removes oil aerosols down to .001 ppm & traps particulates down to .01 micron.

Max Pressure: 250 psi Max Temperature: 175°F

Part Number	Max Flow	Drain Type	Port Size	Weight	Dimensions (HWD)
21999-0390-Z-FD	20 scfm	Float	1/4" npt	1½ lbs	8½" x 2" x 2"
21999-0390-Z-MM	20 scfm	Pneumatic	1/4" npt	2 lbs	10½" x 2" x 2"
• 21999-0131-Z-FD	50 scfm	Float	1/2" npt	3½ lbs	14½" x 2½" x 2½"
21999-0131-Z-ED	50 scfm	Electronic	1/2" npt	4½ lbs	17½" x 5½" x 4"
21999-0131-Z-MM	50 scfm	Pneumatic	1/2" npt	4 lbs	17" x 2½" x 2½"
21999-0082-Z-FD	120 scfm	Float	1" npt	5 lbs	16" x 3½" x 3½"
21999-0082-Z-ED	120 scfm	Electronic	1" npt	6 lbs	18" x 6" x 4½"
21999-0082-Z-MM	120 scfm	Pneumatic	1" npt	5½ lbs	18" x 3½" x 3½"
21999-0850-Z-FD	240 scfm	Float	2" npt	11½ lbs	16½" x 7½" x 3½"
21999-0850-Z-ED	240 scfm	Electronic	2" npt	13 lbs	19" x 10" x 6½"
21999-0850-Z-MM	240 scfm	Pneumatic	2" npt	12½ lbs	18½" x 7½" x 3½"

3rd Stage



ACTIVATED CARBON FILTERS - Replace Element Every 6 Months

The Activated Carbon Filter removes oil vapor down to .003 ppm, removing odor & taste from the air.

Max Pressure: 250 psi Max Temperature: 175°F

Part Number	Max Flow	Drain Type	Port Size	Weight	Dimensions (HWD)
21999-0390-AC	20 scfm	Float	1/4" npt	1½ lbs	8" x 2" x 2"
• 21999-0131-AC	50 scfm	Float	1/2" npt	3½ lbs	14½" x 2½" x 2½"

Drain Versatility



Tsunami Water Separators & Oil Coalescing Filters are built with your application in mind. Drain ports are designed to allow float, electronic, and pneumatic Tsunami drains to be interchangeable to meet your application requirements.



PACKAGE #1
Package Includes: Water Separator & Lubricator

Part Number	Max Flow	Port Size	Weight	Dimensions (HWD)
21999-0416	20 scfm	1/4" npt	2½ lbs	9½" x 4½" x 2½"
• 21999-0247	50 scfm	1/2" npt	7 lbs	18" x 6" x 5"
21999-0248	120 scfm	1" npt	12 lbs	19½" x 8" x 5½"



PACKAGE #2
Package Includes: Water Separator, Regulator & Lubricator

Part Number	Max Flow	Port Size	Weight	Dimensions (HWD)
21999-0415	20 scfm	1/4" npt	3 lbs	10½" x 5½" x 3½"
• 21999-0249	50 scfm	1/2" npt	10½ lbs	18" x 13" x 6½"
21999-0250	120 scfm	1" npt	16 lbs	21" x 13" x 6½"



PACKAGE #3
Package Includes: Water Separator & Oil Coalescing Filter

Part Number	Max Flow	Port Size	Weight	Dimensions (HWD)
21999-0424	20 scfm	1/4" npt	3 lbs	9½" x 5" x 2½"
• 21999-0251	50 scfm	1/2" npt	9½ lbs	18" x 6½" x 5"
21999-0252	120 scfm	1" npt	14 lbs	19½" x 8" x 5½"



PACKAGE #4
Package Includes: Water Separator, Oil Coalescing Filter & Regulator

Part Number	Max Flow	Port Size	Weight	Dimensions (HWD)
21999-0677	20 scfm	1/4" npt	3½ lbs	9½" x 6½" x 3½"
• 21999-0253	50 scfm	1/2" npt	12 lbs	17" x 13" x 4½"
21999-0254	120 scfm	1" npt	18 lbs	21" x 13" x 6½"



PACKAGE #5
Package Includes: Water Separator, Oil Coalescing Filter & Activated Carbon Filter

Part Number	Max Flow	Port Size	Weight	Dimensions (HWD)
21999-0421	20 scfm	1/4" npt	4 lbs	9½" x 8" x 2½"
• 21999-0255	50 scfm	1/2" npt	13½ lbs	17" x 13" x 3½"



PACKAGE #6
Package Includes: Water Separator, Oil Coalescing Filter, Activated Carbon Filter & Regulator

Part Number	Max Flow	Port Size	Weight	Dimensions (HWD)
21999-0678	20 scfm	1/4" npt	5 lbs	10½" x 9" x 3½"
• 21999-0257	50 scfm	1/2" npt	15½ lbs	18½" x 17" x 4½"
EDV Models Available:	20 scfm:	21999-0457	50 scfm:	21999-0291



PACKAGE #7
Package Includes: Oil Coalescing Filter & Regulator

Part Number	Max Flow	Port Size	Weight	Dimensions (HWD)
21999-0969	20 scfm	1/4" npt	2 lbs	10½" x 4" x 3½"
• 21999-0494	50 scfm	1/2" npt	6 lbs	18½" x 6½" x 6"
21999-0967	120 scfm	1" npt	12 lbs	21" x 8" x 5½"



PACKAGE #8
Package Includes: Water Separator & Regulator

Part Number	Max Flow	Port Size	Weight	Dimensions (HWD)
21999-0414	20 scfm	1/4" npt	2½ lbs	10½" x 4" x 3½"
• 21999-0679	50 scfm	1/2" npt	8 lbs	18" x 6½" x 6"
21999-0968	120 scfm	1" npt	12lbs	21" x 8" x 5½"

MAXIMIZE YOUR FACILITY'S PERFORMANCE

Tsunami Regenerative Drying Systems use proprietary technology to provide extremely clean & dry air. Systems succeed as pretreated air enters the regenerative dryer where molecular sieve desiccant adsorbs water vapor. Approximately every two minutes, a controlled signal forces an internal piston to shift. The shift in the piston redirects airflow through the opposite canister(s) while simultaneously back-flowing a small amount of dry air through the previously utilized tower; its like changing your desiccant every two minutes!

- Low Relative Humidity - Down to .01% RH
- Dew Points down to -80°F
- Easy, low-cost maintenance - Under \$100/yr average
- Includes Tsunami Water Separator & Oil Coalescing pre-filtration with automatic drains

● = model shown in picture

AIR DRYERS

TSUNAMI REGENERATIVE DRYERS

ULTRA DRYER - Wall Mounted

Ultra wall-mounted regenerative dryers are designed as complete packages & include pre-filtration, PLC, Moisture Minder® automatic drains, & mounting hardware. Systems can be configured in multiple variations allowing for the pre-filtration to be installed on the left or right side of the unit. Dual inlet/outlet ports allow for bypass of the dryer where breathing air is required.

- 1 120 scfm 2-stage Pre-filtration; Water Separator, Oil Coalescing Filter
- 2 Regenerative Dryer
- 3 Moisture Minder® automatic drains
- 4 Programmable Logic Control (PLC) - Provides ability to expand dryer size. Digital monitor alerts user when element change is due

3 Year Warranty on Tsunami Ultra Drying Systems

Part Number	Size	Max Flow	Port Size	Weight	Dimensions (HWD)
● 21999-0710	10Hp	40 scfm	1" npt	73 lbs	2½' x 2½' x 1'
21999-0715	15Hp	60 scfm	1" npt	93 lbs	2½' x 3' x 1'
21999-0720	20Hp	80 scfm	1" npt	118 lbs	2½' x 3½' x 1'
21999-0730	30Hp	120 scfm	1" npt	118 lbs	2½' x 3½' x 1'



PURE-10 & PURE-10P REGENERATIVE DRYERS

The newest line to Tsunami Compressed Air Solutions™, Pure-10 Regenerative Dryers provide similar benefits to the Ultra wall mounted dryers at a reduced cost. Pure-10 systems utilizes a simple control system & Tsunami pre-filtration to assure removal of water, oil & particulates before entering the dryer. Dew points can reach -80°F and a relative humidity down to .01% RH can be achieved.

- 1 50 scfm 2-stage Pre-filtration; Water Separator, Oil Coalescing Filter
- 2 Regenerative Air Dryer
- 3 Solenoid Valve Timer
- 4 Moisture Minder® automatic filter drains



Pure-10 model dryers are available with either float or Moisture Minder® pneumatic drains.

220v models available - order "-220" P/N when required

Part Number	Size	Max Flow	Drain	Port Size	Weight	DIMS (HWD)
21999-1010	10Hp	40 scfm	Float	½" in 1" out (npt)	60 lbs	2½' x 1¾' x 1'
21999-1010-220	10Hp	40 scfm	Float	½" in 1" out (npt)	60 lbs	2½' x 1¾' x 1'
● 21999-1010-MM	10Hp	40 scfm	Pneumatic	½" in 1" out (npt)	62 lbs	2½' x 1¾' x 1'
21999-1010-MM-220	10Hp	40 scfm	Pneumatic	½" in 1" out (npt)	62 lbs	2½' x 1¾' x 1'



REGENERATIVE DRYER - Rail Mounted

Tsunami rail mounted regenerative dryers are built to withstand the largest surges of contamination. Similar to other Tsunami drying systems, these dual-inlet units are built as complete packages & include pre-filtration, PLC, and Moisture Minder® automatic drains.

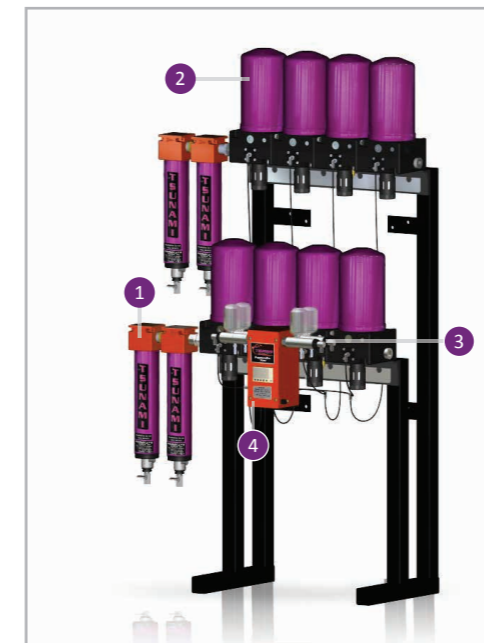
- 1 2-stage Pre-filtration; Water Separator, Oil Coalescing Filter
- 2 Regenerative Dryer
- 3 Moisture Minder® automatic drains
- 4 Programmable Logic Control (PLC)



In addition to our complete line of standard products, Tsunami has engineered customizable dryers to meet air cleanliness requirements for a variety of industries & applications. Drying systems can be configured by drying capacity, orifice size & control type to assure the proper solution is provided. Call 1-800-782-5752 to learn more.

Part Number	Size	Max Flow	Drain	Port Size	Weight	Dimensions (HWD)
21999-0750	50Hp	200 scfm	Pneumatic	1" npt	267 lbs	5½' x 3' x 1¾'

75Hp, 100Hp, 125Hp & 150Hp available on request. Call for details





ULTRA SYSTEM - Tank Mounted

The optimal solution for any facility; simply connect shop air into the inlet fitting and out the regulator. It's that simple. Ultra Systems come fully assembled to provide for absolute ease of installation. A built-in bypass valve allows the dryer to be shutoff for maintenance or service without stopping production.

- 1 Regenerative Air Dryer
- 2 Pre-filtration; Water Separator & Oil Coalescing Filter
- 3 Moisture Minder® automatic drains
- 4 Programmable Logic Control (PLC) - Digital monitor alerts user when element change is due
- 5 80 gallon receiver tank
- 6 High flow piston outlet regulator

3 Year Warranty on Tsunami Ultra Drying Systems

Part Number	Size	Max Flow	Port Size	Weight	Dimensions (HWD)
21999-0810	10Hp	40 scfm	1" npt	335 lbs	5¾' x 4¼' x 2¼'
21999-0815	15Hp	60 scfm	1" npt	358 lbs	5¾' x 4¼' x 2¼'
21999-0820	20Hp	80 scfm	1" npt	381 lbs	5¾' x 4¼' x 2¼'
• 21999-0830	30Hp	120 scfm	1" npt	381 lbs	5¾' x 4¼' x 2¼'



TSUNAMI ROVE - 10Hp Mobile Dryer

The Rove is designed to give your business ultimate mobility. The removable dryer sits atop a 30 gallon storage tank with wheels. This user-friendly design provides clean, dry air whenever & wherever you need it.

- 1 10Hp Regenerative Dryer with "lift-off" design
- 2 Pre-filtration; Water Separator & Oil Coalescing Filter
- 3 30 gallon receiver tank on wheels
- 4 High flow outlet regulator
- 5 Solenoid Valve Timer - OR - Pneumatic generator power supply



Cut the Cord! The Tsunami Rove is now available with a pneumatic generator power supply. Pneumo powered models operate by consuming 1-2 scfm from the dryer.



Part Number	Power	Max Flow	Port Size	Weight	Dimensions (HWD)
• 21999-0945	120v	40 scfm	1/2" npt	150 lbs	4½' x 2' x 2'
21999-0945-PP	Pneumo Gen	40 scfm	1/2" npt	150 lbs	4½' x 2' x 2'



PURE-10T - 10Hp Tank Mounted Dryer

Whether supplying clean air to your entire facility or isolating a specific tool or application, the new Pure-10T tank mounted drying system provides world class Tsunami technology at an affordable price.

The Pure-10T is designed as a complete package & is mounted on a 60 gallon storage tank to increase shop capacity. A built-in bypass valve allows the dryer to be shutoff for maintenance without stopping production.

- 1 Regenerative Air Dryer
- 2 2-stage Pre-filtration; Water Separator, Oil Coalescing Filter
- 3 Solenoid Valve Timer - OR - Pneumatic generator power supply
- 4 Moisture Minder® automatic filter drains
- 5 60 gallon receiver tank
- 6 High flow piston outlet regulator

1 Year Warranty on Pure-10T Drying Systems



Part Number	Power	Size	Max Flow	Port Size	Weight	Dimensions (HWD)
• 21999-0955	120v	10Hp	40 scfm	1/2" npt	190 lbs	5¾' x 4¼' x 2¼'
21999-0955-220	220v	10Hp	40 scfm	1/2" npt	190 lbs	5¾' x 4¼' x 2¼'
21999-0955-PP	Pneumo Gen	10Hp	40 scfm	1/2" npt	190 lbs	5¾' x 4¼' x 2¼'



MEMBRANE DRYER

The low maintenance, zero electricity membrane drying system includes 2 stage pre-filtration & outlet regulator.

Max Pressure: 175 psi Max Temperature: 100°F

Part Number	Max Flow	Port Size	Weight	Dimensions (HWD)
21999-0889	15 scfm	1/4" npt	9 lbs	22" x 12" x 3½"
• 21999-0357	25 scfm	1/2" npt	16½ lbs	23" x 20" x 4½"



PRECISION MEMBRANE DRYERS

Precision membrane drying systems include 3 stage pre-filtration, electronic draining & outlet regulator.

Max Pressure: 175 psi Max Temperature: 100°F

Part Number	Max Flow	Port Size	Weight	Dimensions (HWD)
21999-0957	15 scfm	1/4" npt	12 lbs	24½" x 18½" x 5½"
• 21999-0524	25 scfm	1/2" npt	22 lbs	23" x 23½" x 5½"

FILTERS, REGULATORS, & LUBRICATORS

GRADE D BREATHING AIR

GRADE D BREATHABLE AIR



BREATHABLE AIR PANEL - 1 to 4 person

The Tsunami Breathable Air Panel offers Grade D Breathing Air for up to 4 users. Couplers sold separately.

- 1 3-stage Tsunami pre-filtration
- 2 Easy to read digital carbon monoxide alarm

Part Number	Max Pressure	Max Flow	Port Size	Weight	DIMS (HWD)
21999-0265	250 psi	50 scfm	1/2" npt	22 lbs	20" x 18" x 5"
21999-0264	Calibration Kit for CO Monitor				
21999-0267	110/120v Wall Pack Adapter				

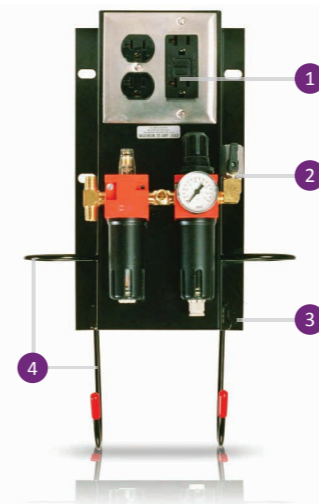


BREATHABLE BELT SYSTEM - Single User

Provides a single user with Grade D Breathable Air.

- 1 2-stage Tsunami pre-filtration
- 2 50' Tsunami Ultra-flo Hose
- 3 Belt; CO monitor, regulators, carbon filter & whip hose

Part Number	Includes	Max Pressure	Max Flow	Port Size
21999-0791	1 2 3	250 psi	25 scfm	1/2" npt
21999-0790	3	Belt adjusts up to 36" circumference		



UTILITY STATION - Industrial Grade

The Industrial Grade Utility Station is designed to eliminate problems that are found in commercial grade boxes. The unit is easily installed and adapts to any machine or work area.

- 1 Electrical outlets equipped with 20 amp industrial GFI protection. Outlets are located above air service to prevent moisture damage.
- 2 Air service available through 2 ports: one non-lubricated for parts blow off; one lubricated for pneumatic tool applications.
- 3 Powder coated finish for durability regardless of the application.
- 4 Hooks to hang and organize hoses or cords.



Multiple configurations available on request.

Part Number	Power	Port Size NPT	Weight	Dimensions (HWD)
21999-0081	110/120v AC- 20 amp	1/4"	8 lbs	18" x 12" x 6"



REGULATORS w/ Gauge

Part Number	Max Flow	Port Size	Weight	DIMS (HWD)
21999-0870	25 scfm	1/4"	1 lb	4" x 2" x 3"
21999-0871	89 scfm	1/2"	2 lbs	5" x 2 1/2" x 3 1/2"
21999-0872	160 scfm	1"	3 1/2 lbs	7 1/2" x 3" x 4 1/2"



LUBRICATORS

Part Number	Max Flow	Port Size	Weight	DIMS (HWD)
21999-0298	25 scfm	1/4"	1 lb	6 1/2" x 2" x 2"
21999-0195	153 scfm	1/2"	2 lbs	8" x 2 1/2" x 2 1/2"
21999-0196	565 scfm	1"	2 1/2 lbs	10" x 3" x 3"



FILTER-REGULATOR COMBO

Part Number	Max Flow	Port Size	Weight	DIMS (HWD)
fr:21999-0190	25 scfm	1/4"	1 lb	4" x 2" x 2"
fr:21999-0192	88 scfm	1/2"	1 1/2 lbs	10" x 2 1/2" x 2 1/2"
frl: 8825701	25 scfm	1/4"	1 lb	7 1/2" x 3 1/2" x 2"

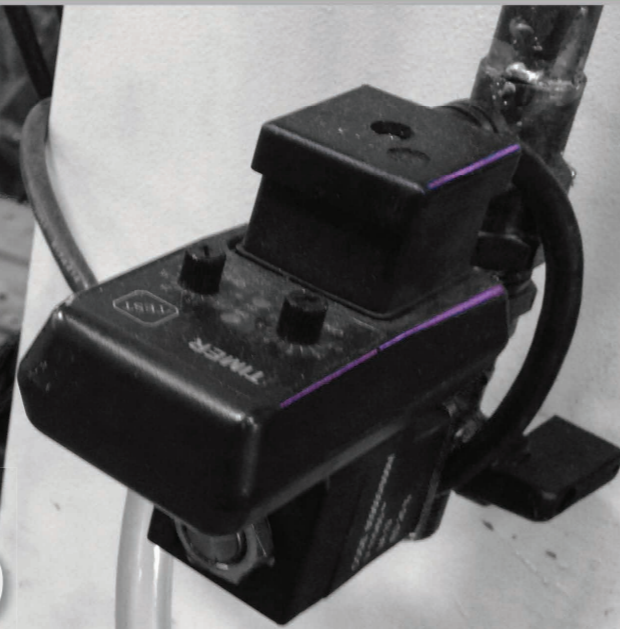
SAVE ENERGY, SAVE MONEY

Regardless of the quality of your compressor or air system, neglecting to consistently drain condensate and contamination will result in endless headaches & costly downtime. Additionally inadequate or forgotten draining dramatically wears on filtration systems causing them to become ineffective & damaging to critical equipment & processes.

Tsunami offers a variety of drain styles to assure timely and effective draining for your facility.

Our filters are available with multiple drain configurations. For more information see filters on pg. 4-5.

● = model shown in picture



DRAINS

ELECTRONIC & PNEUMATIC DRAINS



MOISTURE MINDER® PNEUMATIC DRAIN

The industrial strength pneumatic drain operates using an intermittent pilot signal and functions without causing a pressure drop in the air system. The drain is available in both external reservoir or internal reservoir models.

Part Number	Size	Max Pressure	Port Size	Weight	DIMS (HWD)
142-0000	5Hp	250 psi	1/4" npt	1 lb	1½" x 6½" x 1½"
152-0000	30Hp	250 psi	1/4" npt	¾ lb	5" x 5½" x 2"
21999-0317	Pneumatic Drain Installation Kit				

MOISTURE MINDER® FILTER DRAIN

Similar to the standard Moisture Minder® pneumatic drain, the Filter Drain requires only an intermittent pilot signal to operate. However, this model is designed to spin on the corresponding size Tsunami filter tube.

Part Number	Filter Size	Max Pressure	Weight	DIMS (HWD)
21999-0792	20 scfm	250 psi	1 lb	4" x 3" x 2"
21999-0795	50 scfm	250 psi	1 lb	4" x 3½" x 2½"
• 21999-0805	120 scfm	250 psi	1½ lbs	4" x 3½" x 3"



MOISTURE MINDER® ELECTRONIC DRAIN VALVE (EDV)

The Moisture Minder® EDV incorporates a self-cleaning feature where a fixed strainer screen is used to capture contaminants before reaching the valve orifice. The drain is compatible with various types of media and conforms to the NEMA 4 standard.

- 1 Adjustable Timer: OFF: 0.5- 45 min ON: 0.5- 10 sec
- 2 Internal steel screen allows for self cleaning
- 3 Dual Size Inlet: Accommodates 1/4" I.D. or 1/2" O.D. NPT thread sizes
- 4 1/4 turn ball valve allows for self cleaning without disassembling



Part Number	Power	Dual Size Inlet	Weight	Dimensions (HWD)
• 21999-0177	115v AC / 60Hz	1/4" ID & 1/2" OD	1 lb	5½" x 3½" x 3½"
21999-0177-230	220v AC / 60Hz	1/4" ID & 1/2" OD	1 lb	5½" x 3½" x 3½"
21999-0177-230-50	230v AC / 50Hz	1/4" ID & 1/2" OD	1 lb	5½" x 3½" x 3½"
21999-0177-24	24v DC / 24W	1/4" ID & 1/2" OD	1 lb	5½" x 3½" x 3½"
21999-0177-12	12v DC / 10W	1/4" ID & 1/2" OD	1 lb	5½" x 3½" x 3½"
21999-0316	Electronic Drain Installation Kit			



DRAIN MINDER II CONTROLLER

Provides the pilot signal every 30 sec-120 min to multiple pneumatic drains.

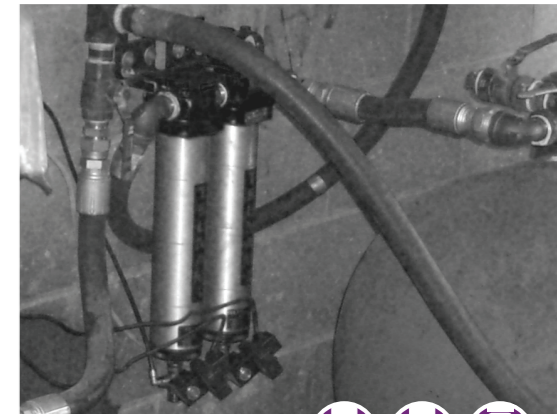
Part Number	Description
144-0001	Drain Minder II Controller



FLOAT DRAIN REPLACEMENT 3 PACK

Includes 3 float drains & O-rings for replacement on Tsunami filters.

Part Number	Description
21999-0868	Float Drain - sold in 3 pack



DRAIN VERSATILITY

Filter drain ports are designed to allow float, electronic, and pneumatic Tsunami drains to be interchangeable to meet your application requirements.



HOSE, COUPLERS & AIR MONITORING EQUIPMENT



AIR MONITORING EQUIPMENT

HOSE, COUPLERS & BLOW GUNS



ULTRA-FLO SPRAY HOSE

The extremely lightweight Tsunami Ultra-flo Spray Hose is designed to bring both longevity and performance to the toughest applications. Engineered for high temperature exposure, this lay-flat hose features a proprietary internal coating which prevents breakdown caused by heat & harmful chemicals.

- Built in anti-static strip eliminates static build up making this hose the absolute best choice for all tool applications.

Part Number	Hose Length	Hose Quantity	Hose I.D.	Weight
21999-0495	5'	1	3/8"	2 lbs
• 21999-0449	35'	1	3/8"	4.5 lbs
21999-0450	50'	1	3/8"	5.5 lbs
21999-0783	35'	10 pack	3/8"	4.5 lbs ea
21999-0784	50'	5 pack	3/8"	5.5 lbs ea

AIR MONITORING EQUIPMENT

Tsunami Air Monitoring Equipment provides the ability to verify that the air system tested is supplying the quality of compressed air cleanliness required for the application.

- 1 Air Survey Monitor
 - Measures humidity, dew point & air temperature
 - Easy to read LCD screen
 - Includes sensor filtration
- 2 SCFM Flow Meter
 - Measure the SCFM usage at any tool
 - Easy to read graph
 - Complete with regulator & female coupler
- 3 Foam Fitted Carrying Case



Part Number	Description	Weight	Dimensions (HWD)
• 21999-0938	Air Prep Kit- Includes items 1, 2 & 3	8.5 lbs	13" x 17" x 4"
21999-0440	Air Survey Kit- Includes items 1 & 3	5.5 lbs	13" x 17" x 4"
21999-0447	SCFM Test Kit- Includes items 2 & 3	5 lbs	13" x 17" x 4"



HIGH FLOW COUPLERS - 10 PACK

Prevost Venting-Action couplers are designed to eliminate hose whip.

Part Number	Size & Description
• 21999-0831	1/4" Female- sold in 10 pack
21999-0832	1/4" Male- sold in 10 pack



HIGH FLOW PLUGS - 10 PACK

Part Number	Size & Description
21999-0833	1/4" Female- sold in 10 pack
• 21999-0834	1/4" Male- sold in 10 pack



BLOW GUN - 10 PACK

Nylon Tip OSHA Compliant Blow Gun

Part Number	Size & Description
21999-0835	1/4" Inlet- sold in 10 pack

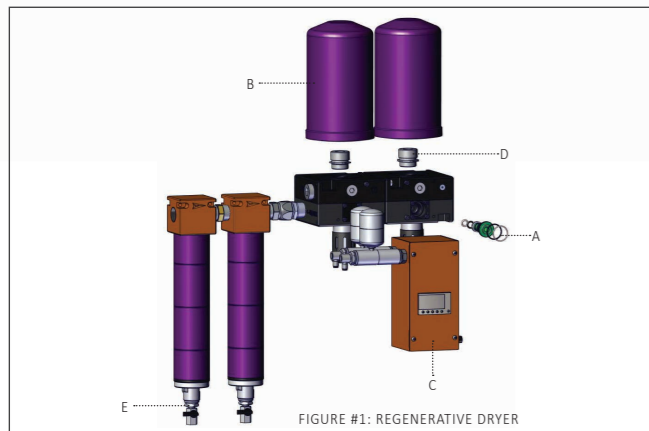


FIGURE #1: REGENERATIVE DRYER

REGENERATIVE DRYER

PARTS & ACCESSORIES - see figure 1

Part Number	Description
A 21999-0707	Piston Rebuild Kit for Regenerative Dryer
B 21999-0349	Tower Replacement (Standard) Purple
B 21999-0349-BK	Tower Replacement (Standard) Black
- 4055A001	Tower Replacement (High Capacity)
C 21999-0672-10	PLC - 10Hp Regenerative Dryer
C 21999-0672-15	PLC - 15Hp Regenerative Dryer
C 21999-0672-20	PLC - 20Hp Regenerative Dryer
C 21999-0672-30	PLC - 30Hp Regenerative Dryer
- 21999-0718	Mobile Dryer PLC
- 21999-0714	Power Supply - Regenerative Dryer
- 21999-0714-G	Global Power Supply - Regenerative Dryer
D 21999-0650-15	Tower Mounting Stud / Regen Valve (.15)
D 21999-0650-30	Tower Mounting Stud / Regen Valve (.30)
D 21999-0650-45	Tower Mounting Stud / Regen Valve (.45)
D 21999-0650-60	Tower Mounting Stud / Regen Valve (.60)
D 21999-0650-80	Tower Mounting Stud / Regen Valve (.80)
E 21999-0300	Strainer with 50 Mesh Screen

DRAINING

PARTS & ACCESSORIES - see figure 2

Part Number	Description
- 21999-0317	Deluxe Drain Install Kit - Pneumatic Drains
- 21999-0316	Basic Drain Install Kit - Electronic Drains
E 21999-0868	Float Drain 3 Pack - Includes bottom O-rings

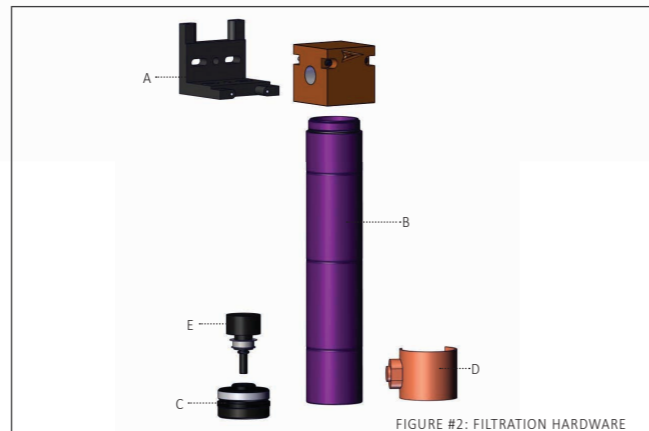


FIGURE #2: FILTRATION HARDWARE

FILTRATION HARDWARE

ACCESSORIES - see figure 2

Part Number	Description
- 21999-0201	Drain Tube Kit - 10 Pack
A 21999-0867	Mounting Bracket - 20 Series
A 21999-0144	Mounting Bracket - 50 & 120 Series

OUTER TUBE REPLACEMENT - see figure 2

Part Number	Description
B 21999-0386	Outer Tube - 20 Series
B 21999-0125	Outer Tube - 50 Series
B 21999-0078	Outer Tube - 120/240 Series

BOTTOM CAP REPLACEMENT - see figure 2

Part Number	Description
C 21999-0388	Bottom Cap - 20 Series
C 21999-0127	Bottom Cap - 50 Series
C 21999-0182	Bottom Cap - 120/240 Series

HEATER WRAPS - see figure 2

Part Number	Description
D 163-0644	20/50 Series - 110/120v AC
D 163-0648	20/50 Series - 12v DC
D 163-0646	20/50 Series - 24v DC
D 163-0649	120/240 Series - 110/120v AC
D 163-0651	120/240 Series - 12v DC
D 163-0650	120/240 Series - 24v DC

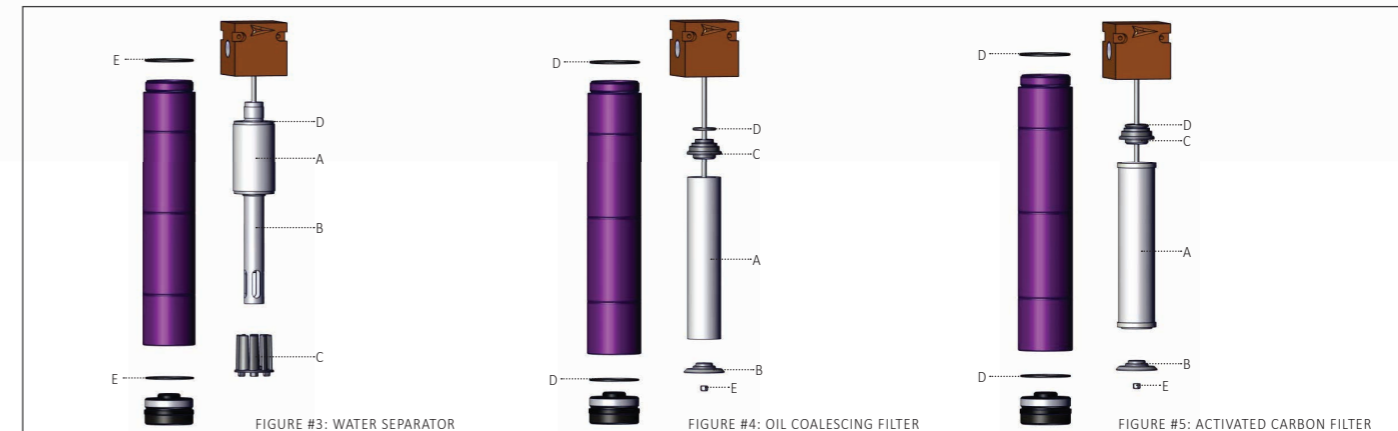


FIGURE #3: WATER SEPARATOR

FIGURE #4: OIL COALESCING FILTER

FIGURE #5: ACTIVATED CARBON FILTER

FILTRATION SERVICE KITS

WATER SEPARATOR - see figure 3

Part Number	Description
21999-0846	20 Series - Includes (A) Stainless Steel Element, (B) Inner Tube, (C) Bottom Baffle, (D) Adapter, & (E) O-rings
21999-0227	50 Series - Includes (A) Stainless Steel Element, (B) Inner Tube, (C) Bottom Baffle, (D) Adapter, & (E) O-rings
21999-0228	120/240 (240 requires x2) Series - Includes (A) Stainless Steel Element, (B) Inner Tube, (C) Bottom Baffle, (D) Adapter, & (E) O-rings

OIL COALESCING FILTER - see figure 4

Part Number	Description
21999-0394	20 Series - Includes (A) Coalescing Element, (B) Baffle, (C) Adapter, (D) O-rings, & (E) Lock Nut
21999-0202	50/120/240/Pure-10 (240 requires x2) Series - Includes (A) Coalescing Element, (B) Baffle, (C) Adapter, (D) O-rings, & (E) Lock Nut
21999-0202-Z-SP	Ultra Model Regenerative Dryer Oil Coalescing Service Kit
21999-0823	Pack of 5 (A) Elements - 20 Series Coalescing Element
21999-0825	Pack of 5 (A) Elements - 50/120/240/Pure-10 (240 requires x2) Series Coalescing Element
21999-0828	Pack of 5 (A) Elements - Regenerative Dryer Coalescing Element

ACTIVATED CARBON - see figure 5

Part Number	Description
21999-0395	20 Series - Includes (A) Activated Carbon Element, (B) Baffle, (C) Adapter, (D) O-rings, & (E) Lock Nut
21999-0200	50 Series - Includes (A) Activated Carbon Element, (B) Baffle, (C) Adapter, (D) O-rings, & (E) Lock Nut
21999-0824	Pack of 5 (A) Elements - 20 Series Activated Carbon Element
21999-0826	Pack of 5 (A) Elements - 50 Series Activated Carbon Element

PRECISION EQUIPMENT

Part Number	Description
21999-0818	20 Series Annual Maintenance Kit - Includes (2) Biannual Coalescing & Activated Carbon Element Kits w/ O-rings
21999-0819	50 Series Annual Maintenance Kit - Includes (2) Biannual Coalescing & Activated Carbon Element Kits w/ O-rings



Superior Filtration Products. Pure & Simple

1.800.782.5752

www.tsunami.us.com



a division of
Suburban Manufacturing Group

